



Data Sheet AFL100-XX Rev A

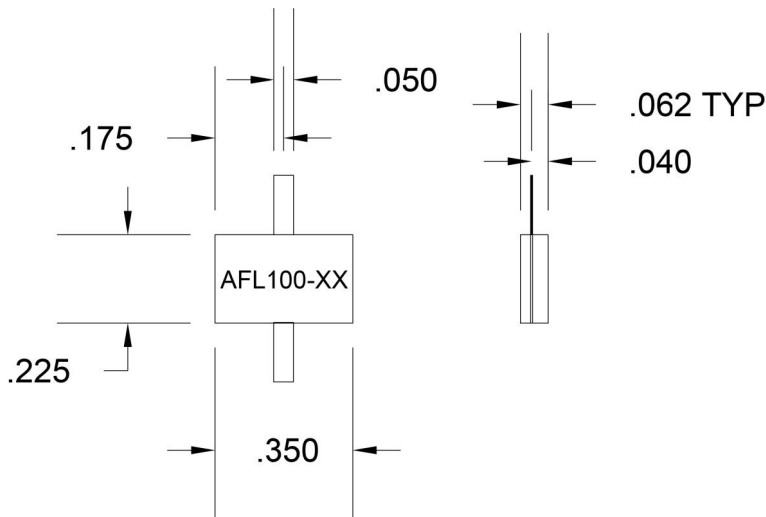
DC-3.0 GHz. Model: AFL100-XX

XX= Attenuation Value 0.25 - 30 dB

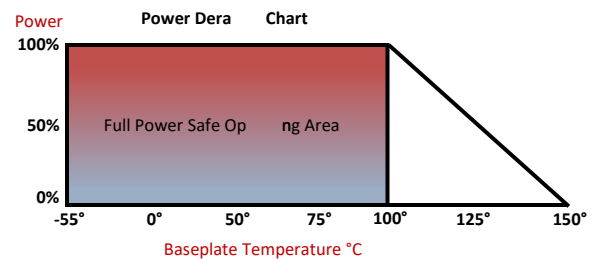
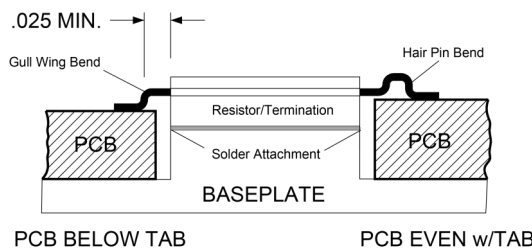
Example: AFL100-1 (1 dB)
AFL100-2R5 (2.5 dB)
AFL100-12 (12 dB)



HYBR-FILM Flangeless attenuators are high performance RF & Microwave power film resistive products on the market today. Designed to be soldered to a heat-sink or a plated-thru hole printed circuit board, offer the highest power and frequency stability than any other supplier. Power ratings up to 200 watts combined with versatile industry standard configurations allow for easy design-in solutions or replacing older outdated marginal devices that may have degraded or drifted over time. Applications include Medical, Broadcast, Industrial, Commercial Wireless, Military and Space. The **P3** library of designs allows for modifications of standard designs to be made quickly and inexpensively to meet specific requirements with short delivery times. Please contact the factory for any special requirements or frequency ranges.



SUGGESTED MOUNTING
AND TAB STRESS RELIEF METHOD



ELECTRICAL SPECIFICATION

Frequency Range: DC - 3.0 GHz.
Impedance: 50 Ω
Attenuation: See Chart 2nd Page
Average Power: 100W (See Power vs Temp. Chart)
Peak Power: 300 W (700µs pulse, 20% duty cycle)
VSWR: See Chart 2nd Page
Operating Temp.: -55° C to +150° C

MECHANICAL SPECIFICATION

Substrate: 99% Beryllium Oxide
Resistor Film: Hybrid Blended Thick Film
Cover Material: 96% Aluminum Oxide
Tab Material: 99.99% Silver, W=.060 x L=.150" x T= .005
Storage Temp: -55° C To +175° C



Standard Performance & Specification Chart

Custom Values Available Upon Request In 0.1 dB Increments



Bottom Ground
Plane

P3 Part Number	Attenuation (dB)	Frequency (GHz)	VSWR (Typ)	Resistance Ω (A-B)	Resistance Ω (A-C)	Resistance Ω (B-C)	Resistance Tolerance
AFL100-1	1 \pm 0.4	DC - 3.0	1.45:1	5.75	436.0	436.0	\pm 5%
AFL100-2	2 \pm 0.4	DC - 3.0	1.45:1	11.46	221.0	221.0	\pm 5%
AFL100-3	3 \pm 0.4	DC - 3.0	1.35:1	17.0	150.5	150.5	\pm 5%
AFL100-4	4 \pm 0.4	DC - 3.0	1.35:1	22.6	116.2	116.2	\pm 5%
AFL100-5	5 \pm 0.3	DC - 3.0	1.30:1	28.0	96.2	96.2	\pm 5%
AFL100-6	6 \pm 0.3	DC - 3.0	1.25:1	33.2	83.6	83.6	\pm 5%
AFL100-7	7 \pm 0.3	DC - 3.0	1.25:1	38.2	75.0	75.0	\pm 5%
AFL100-8	8 \pm 0.3	DC - 3.0	1.20:1	43.0	68.8	68.8	\pm 5%
AFL100-9	9 \pm 0.3	DC - 3.0	1.20:1	47.6	64.4	64.4	\pm 5%
AFL100-10	10 \pm 1.2	DC - 3.0	1.30:1	52.0	61.0	61.0	\pm 5%
AFL100-11	11 \pm 1.2	DC - 3.0	1.30:1	56.0	58.6	58.6	\pm 5%
AFL100-12	12 \pm 1.2	DC - 3.0	1.30:1	59.8	56.7	56.7	\pm 5%
AFL100-13	13 \pm 1.2	DC - 3.0	1.30:1	63.4	55.3	55.3	\pm 5%
AFL100-14	14 \pm 1.2	DC - 3.0	1.30:1	66.7	54.0	54.0	\pm 5%
AFL100-15	15 \pm 1.2	DC - 3.0	1.25:1	69.8	53.2	53.2	\pm 5%
AFL100-16	16 \pm 1.2	DC - 3.0	1.25:1	72.6	52.6	52.6	\pm 5%
AFL100-17	17 \pm 1.2	DC - 3.0	1.25:1	75.2	52.0	52.0	\pm 5%
AFL100-18	18 \pm 1.2	DC - 3.0	1.25:1	77.6	51.6	51.6	\pm 5%
AFL100-19	19 \pm 1.2	DC - 3.0	1.20:1	79.8	51.2	51.2	\pm 5%
AFL100-20	20 \pm 0.6	DC - 3.0	1.20:1	81.8	51.0	51.0	\pm 5%
AFL100-30	30 \pm 2.0	DC - 3.0	1.20:1	94.0	50.0	50.0	\pm 5%

Specifications subject to change without notice

NOTES:

- 1). TEST DATA AND SPECIFICATIONS APPLY WHEN MOUNTED IN P3 TEST FIXTURE.
- 2). ALL TEST DATA IS TAKEN AT BASE-PLATED MAINTAINED @25°C USING A CALIBRATED NETWORK ANALYZER.
- 3). TEST FIXTURE DRAWING CAN BE PROVIDED UPON REQUEST.
- 4). A COMPLETE TEST FIXTURE MAY ALSO BE PURCHASED BY CONTACTING: sales@p3-rf.com



Made In USA